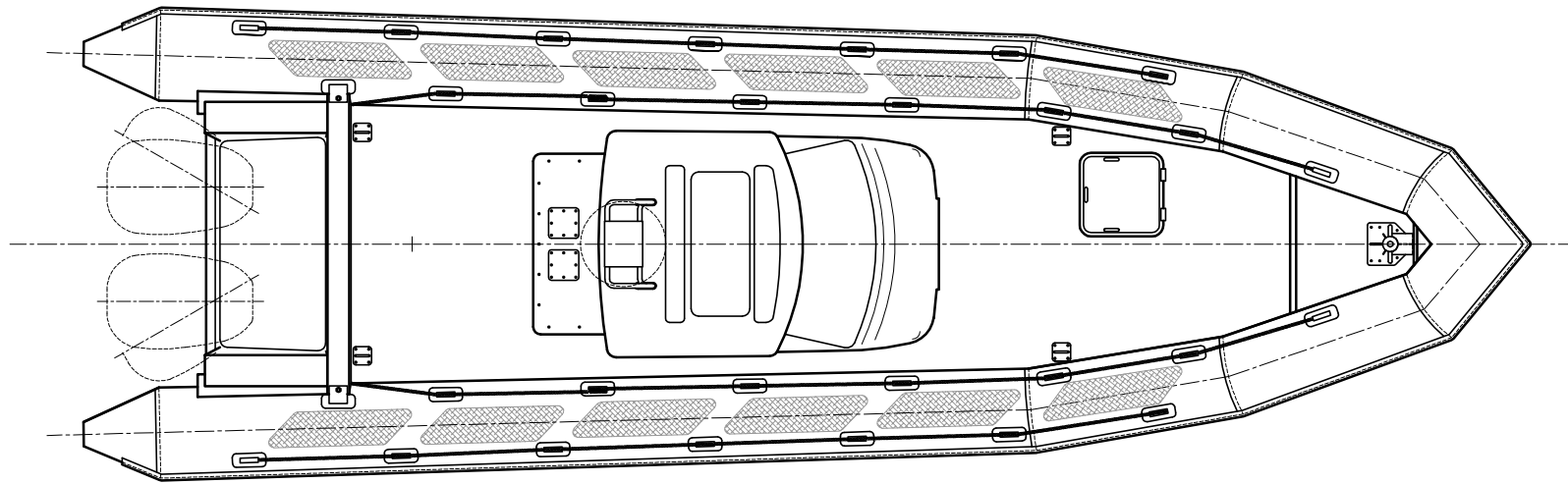
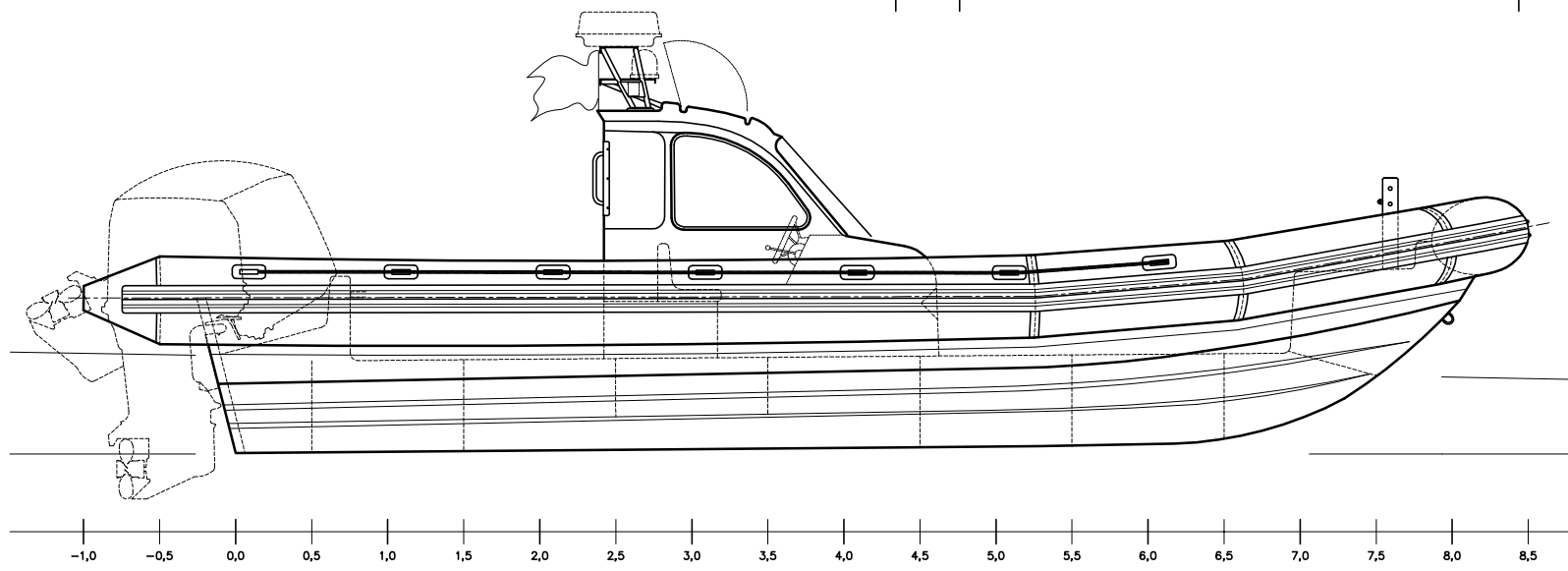


This drawing specification is our property for which we reserve all rights, including the right to modify or cancel it without notice. It must not be reproduced, stored in a retrieval system or made available to any third party without our prior permission in writing.

RevNo	Revision note	Date	Signature	Checked



TM-925 OBC

LENGTH OVERALL/ DŁUGOŚĆ CAŁKOWITA:	-9,50 (m)	BOAT WEIGHT w/o eng./ MASA ŁODZI bez silnika:	-1,85 (t)
RIGID HULL LENGTH/ DŁUGOŚĆ KADŁUBA SZTYWNEGO:	-8,50 (m)	STANDARD ENGINE/ SILNIK STANDARDOWY:	-2x150 (HP)
BEAM OVERALL/ SZEROKOŚĆ CAŁKOWITA:	-3,08 (m)	MAX POWER/ MOC DOPUSZCZALNA:	-2x275 (HP)
DESIGNED DRAFT/ ZANURZENIE PROJEKT.:	-0,72 (m)	DESIGNED SPEED/ PRĘDKOŚĆ PROJEKTOWA:	-35 (kn)
DESIGNED DISPLACEMENT/ WYPORNOŚĆ PROJEKT.:	-4,20 (m3)	MAX PERSONS/ DOP. LICZBA OSÓB:	-6 (pers.)
CHAMBER DIAMETER/ ŚREDNICA KOMORY:	-0,56 (m)	CREW/ ZAŁOGA:	-2 (pers.)

All datas, dimensions and specifications can be changed without any notice.

	Date/	Sheet/	Designed/	Checked/	Approved/
	-	1/1	A.Bartosiak	-	-
	File/	Title/			
-	General arrangement Cabine verion				
Scale/	na	Drawing number/	App./Dot.		
-	-	TM-99.95.6	-		