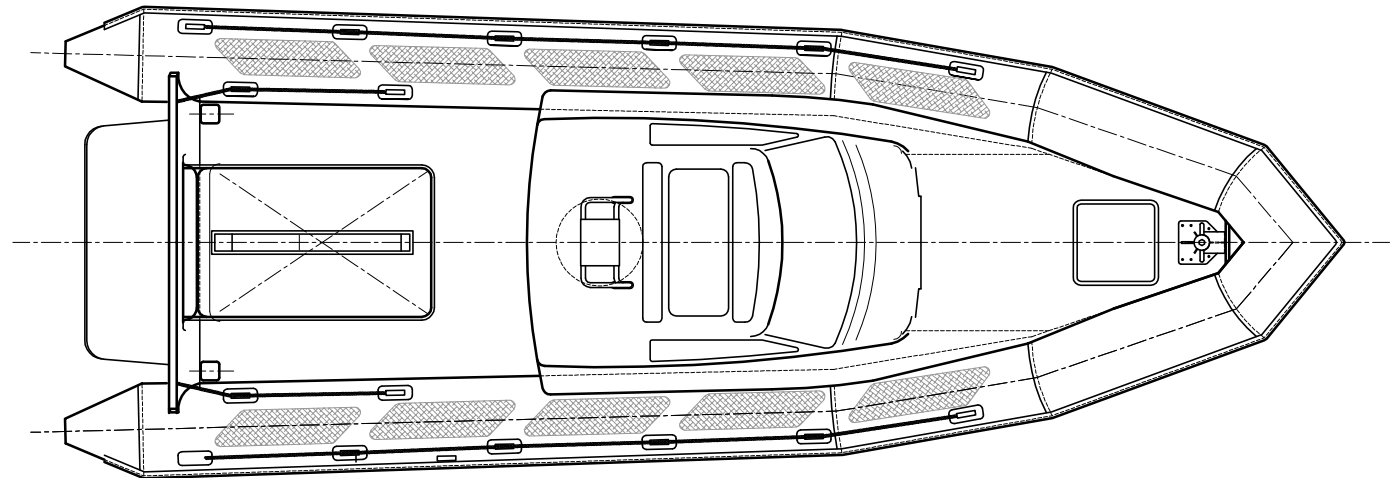
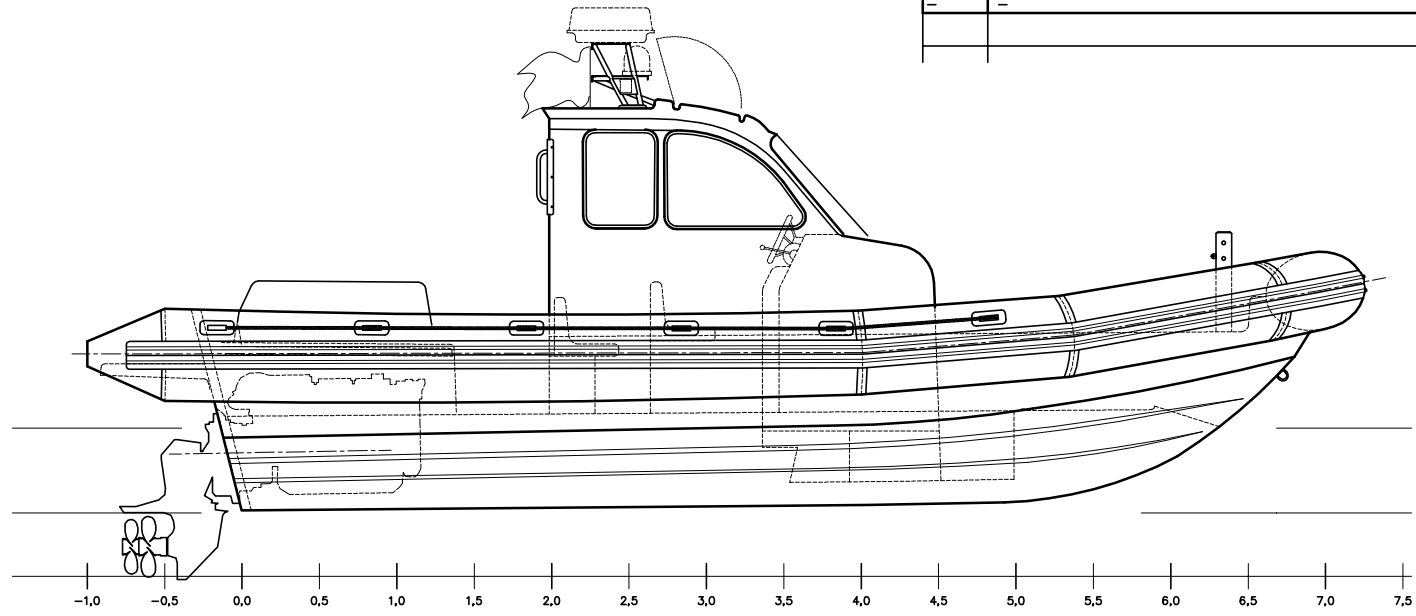


This drawing and specifications are our property for which we reserve all rights, including the right to make changes without notice. It must not be reproduced, stored in a retrieval system or made available to any third party without our prior permission in writing.


All dates, dimensions and specifications can be changed without any notice.

RevNo	Revision note	Date	Signature	Checked



TM-825 IBC Patrol

LENGTH OVERALL/	-8,25 (m)	BOAT WEIGHT w/o eng./	-1,65 (t)
RIGID HULL LENGTH/	-7,35 (m)	STANDARD ENGINE:	-175 (HP)
BEAM OVERALL/	~3,00 (m)	MAX POWER/	-340 (HP)
DESIGNED DRAFT/	-0,65 (m)	DESIGNED SPEED/	>35 (kn)
DESIGNED DISPLACEMENT/	-4,10 (m3)	MAX PERSONS/	-2+10 (pers.)
CHAMBER DIAMETER/	-0,54 (m)	CREW/	-2 (pers.)

	Date/Data	Sheet/Ark.	Designed/Konstruował	Checked/Sprawdził	Approved/Zatwierdził
	2008/09	1/1	A.Bartosiak	-	-
	File/ Plik	Title/Nazwa			
-	General plan				Plan ogólny
Scale/Podziałka	Drawing number/Rysunek numer		App./Dot.		-
na	TM-99.85.7				